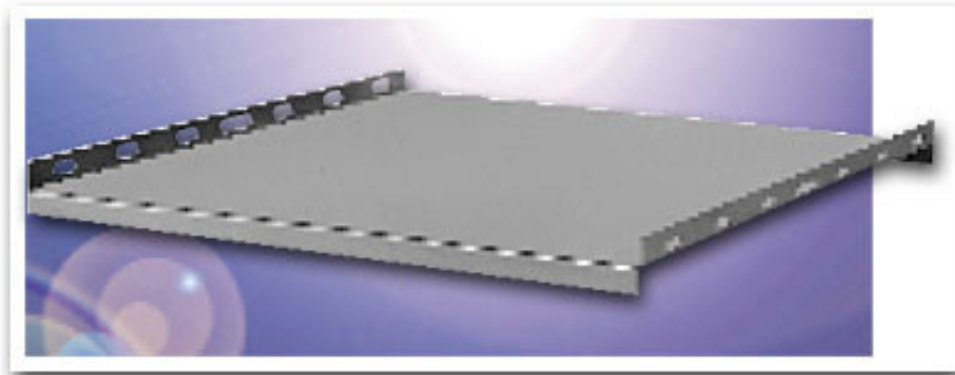




Accessories - Shelves
**Non-Ventilated
 Stationary Shelves**



Design Features

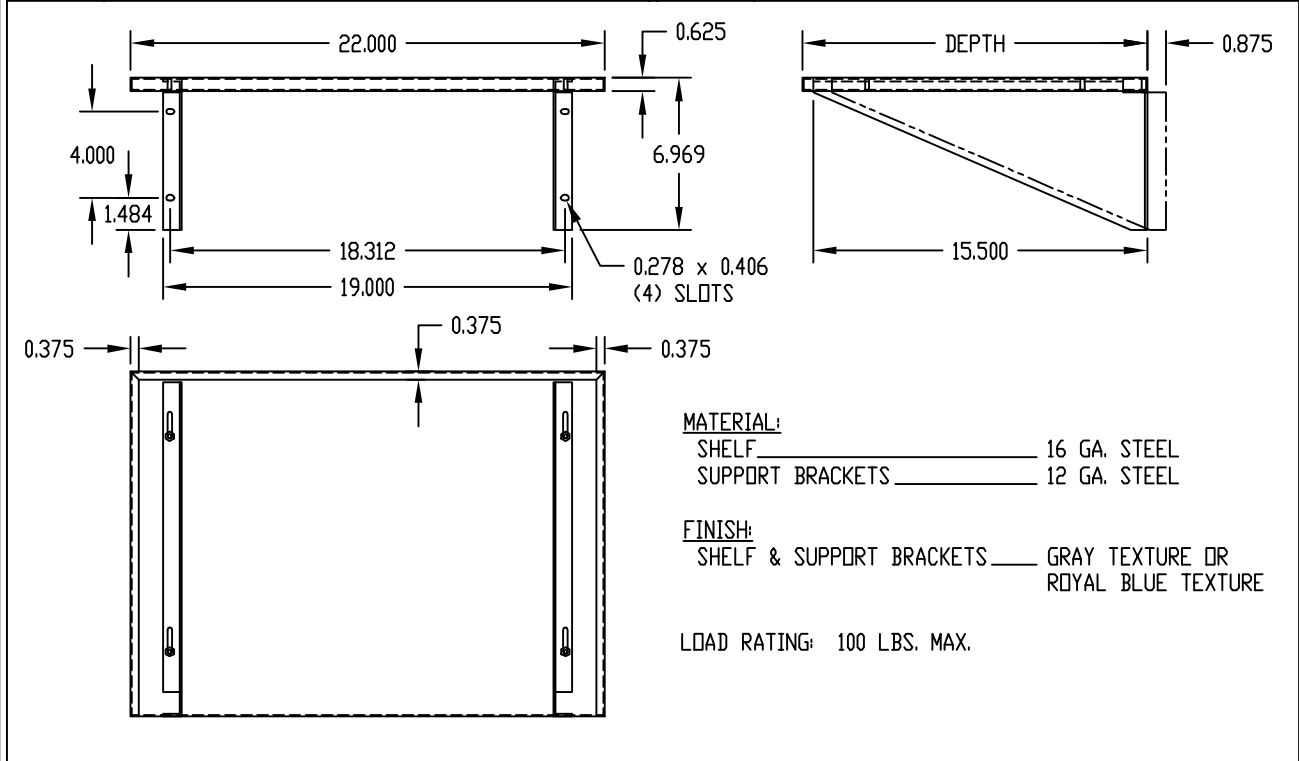
Stationary shelves come in widths to fit 19" and 24" wide panel spaces and all cabinet rack depths. Shelves are one-piece, 16-gauge steel with flanged front and rear to support up to 200 lbs. All shelves come with necessary mounting hardware. Additional brackets are furnished to allow flexibility in mounting. Shelves allow sufficient room in rear for cables and power outlet strips. Requires two pairs of panel mounting rails per cabinet rack. Finish: Smooth Black. Also available in Non-Ventilated versions

Non-Ventilated Shelves						
Catalog Number	Drawings	Cabinet Racks		Shelves		
		Panel Width	Maximum Clear Inside Depth	Width	Depth	Weight
SH-2379		19"	17"	17-29/32"	14.25"	7 lbs
60-2380		19"	20.5"	17-29/32"	19.25"	7.5 lbs
60-2381		19"	24"	17-29/32"	22.75"	8.5 lbs

SH-2382		19"	29.25"	17-29/32"	26.5"	10.75 lbs
SH-2479		24"	17"	22-29/32"	14.25"	8.5 lbs
SH-2480		24"	20.5"	22-29/32"	17.75"	9.75 lbs
SH-2481		24"	24"	22-29/32"	21.25"	12 lbs
SH-2482		24"	29.25"	22-29/32"	26.5"	13.5 lbs

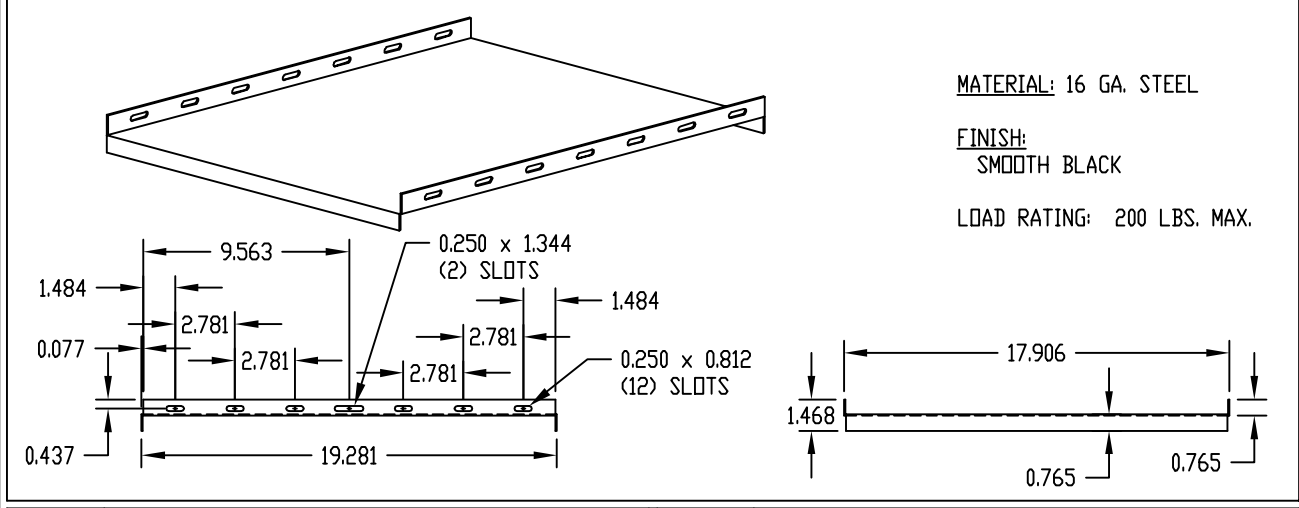


PART NAME	SHELF ASSEMBLY	PART No.	SA-1719 AND SA-1720
-----------	----------------	----------	---------------------



PART No.	DEPTH	PART No.	DEPTH
SA-1719	16.000	SA-1720	20.000

PART NAME	SHELF	PART No.	60-2380
-----------	-------	----------	---------



PART NAME	SHELF	PART No.	60-2381
-----------	-------	----------	---------

